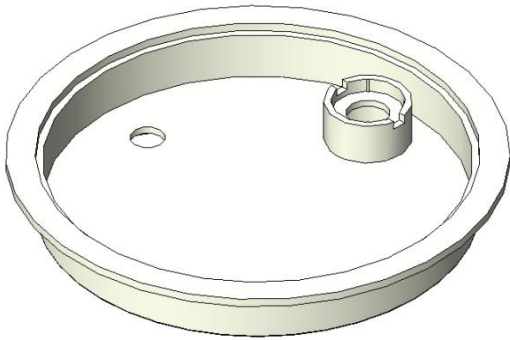
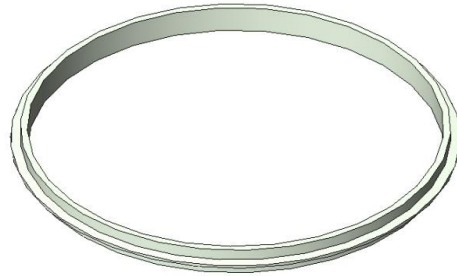


■ 냉수통뚜껑 A'ssy

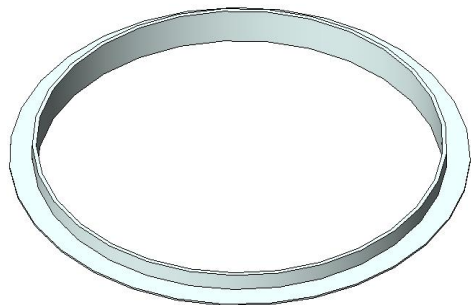
○ Cover (CWT-C-160)



○ Silicone Packing (CWT-SP-160)



○ PE Packing (CWT-PP-160)



○ Air Vent (CWT-AV-25)

Cover (CWT-AV-C25) 부직포 (CWT-AV-N25)



모델명	삽입부위 (Φ)
CWT-C-160	160
CWT-C-190	190
CWT-SP-160	160
CWT-SP-190	190
CWT-PP-160	160
CWT-PP-190	190
CWT-AV-25	25
CWT-AV-C25	25
CWT-AV-N25	25